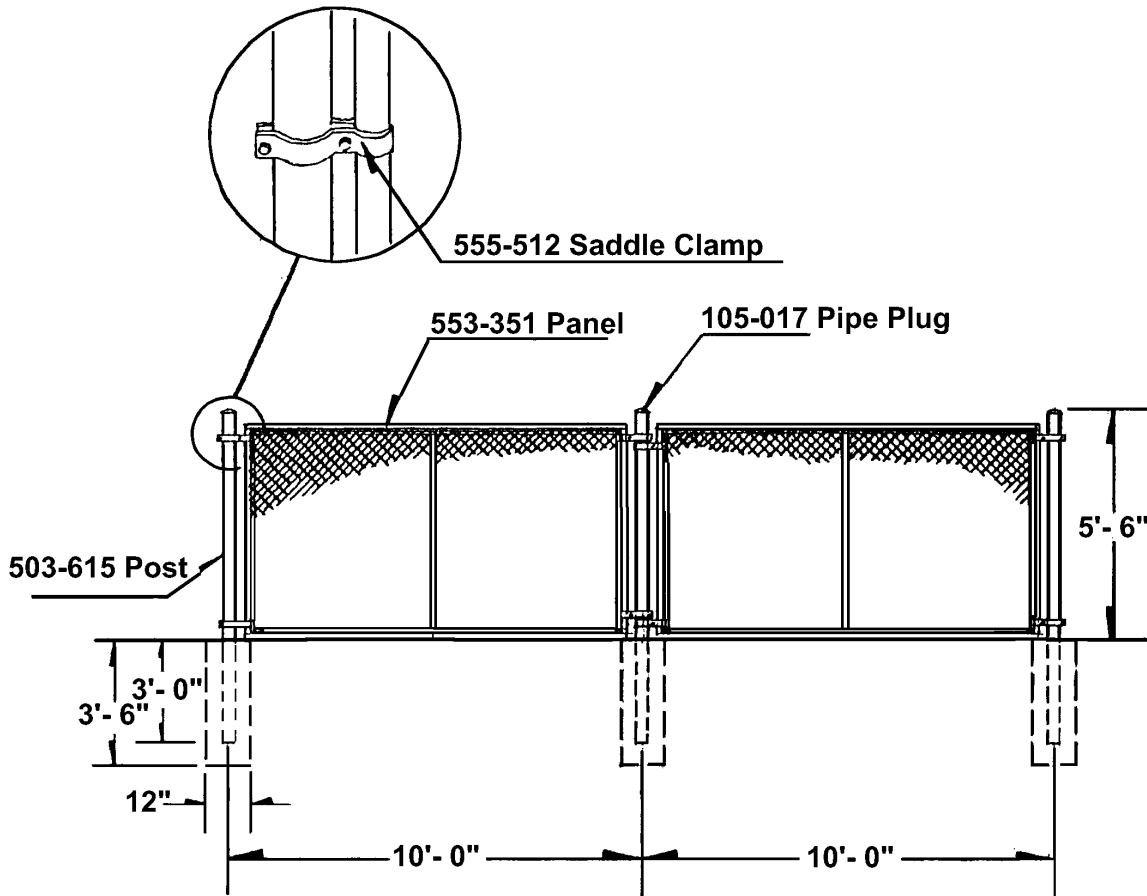


551-105 Protective Screen

IMPORTANT

PLEASE READ THESE INSTRUCTIONS BEFORE COMMENCING ASSEMBLY. All equipment must be installed in accordance with these instructions. Check your shipment against Bill of Lading and Parts list. Any missing or broken parts must be reported to your distributor within 10 days of receipt of your order. When properly installed and maintained, equipment will give many years of Safe, Trouble-Free use. Periodically check for loose or broken parts. Loose bolts must be tightened and broken parts must be replaced as they can possibly create dangerous situations leading to unnecessary accidents.



PACKING LIST

HARDWARE BAG

1	CTN	1	Hardware Bag	3	105-017	2 3/8" Pipe Plug
2	PANEL	2	553-351 Panels 11 gage 5'x10'	8	pr 555-512	1" x 2 3/8" Saddle Clamps
3	PIPE	3	503-615 2 3/8" OD 8' Post	16	126-505	5/16" x 1 1/4" Carriage Bolt
				16	326-501	5/16" Lock Washer
				16	216-501	5/16" Hex Nut

1 CTN	2 PANEL	3 PIPE	6 TOTAL PCS	180# TOTAL WEIGHT	CLASS 70
-------	---------	--------	-------------	-------------------	----------